

# Air Reflow Soldering System

## 热风回流焊炉设备



AC08M系列是大副削减能耗、初期投入及运行成本低廉的空气回流焊炉。

AC08M series is the Air Reflow System which is possible to slash the initial cost and running cost as well as saving energy.

### 特长 Characteristics

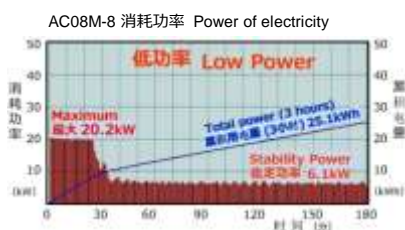
- |                                        |                                                                  |
|----------------------------------------|------------------------------------------------------------------|
| <input type="checkbox"/> 低成本           | Low Cost                                                         |
| <input type="checkbox"/> 低能耗           | Low power consumption                                            |
| <input type="checkbox"/> 良好的隔热效果 超低温外盖 | Low temperature cover by High insulation for working environment |
| <input type="checkbox"/> 简便的保养系统       | Easy maintenance                                                 |
| <input type="checkbox"/> 机身轻·紧凑        | Light & Compact                                                  |

### 消耗功率

Low power-consumption

低能耗使初期安装费用及用电量大副减少

Large reduction of power supply  
Construction cost and electric bill by  
low power consumption

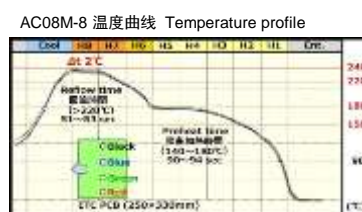


### 加热性能

Heat-up performance

最新专业热风方式加热，使整板加热的均温性与再现性大幅提高。加热条件设置简单。

By new air blow system, Heating uniformity and plasticity improve. Setting of the heating condition is easy.

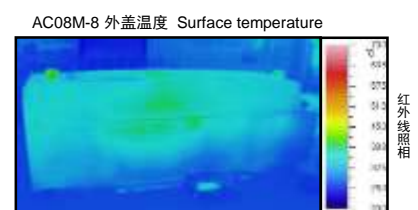


### 高隔热

High Heat-insulation

良好的隔热效果使空调负荷减小（与室温几乎相同的外盖温度）

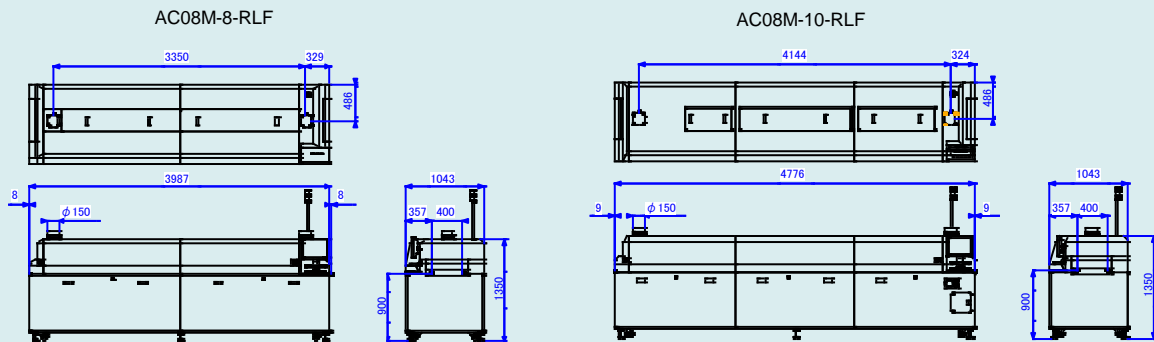
Reduction of air conditioning cost by high insulation



## 技术参数 SPECIFICATIONS

| 型号     | Model No.             | AC08M-8                                                          | AC08M-10                     | AC08M-12                     | AC08L-10                  |
|--------|-----------------------|------------------------------------------------------------------|------------------------------|------------------------------|---------------------------|
| 加热温区   | Heating Zone          | 8                                                                | 10                           | 12                           | 10                        |
| 电源     | Power                 | 3Φ 380V 50Hz 32A                                                 | 3Φ 380V 50Hz 42.7A           | 3Φ 380V 50Hz 46.4A           | 3Φ 380V 50Hz 51A          |
| 启动功率   | Start up Power        | Approx. 21 (kw)                                                  | Approx. 26 (kw)              | Approx. 31 (kw)              | Approx. 33.5 (kw)         |
| 稳定功率   | Normal Power          | Approx. 6.2 (kw)                                                 | Approx. 8.3 (kw)             | Approx. 9.8 (kw)             | Approx. 13.5 (kw)         |
| 外形尺寸   | Dimension             | L: 4,005×W:1,043×H:1,350 (mm)                                    | L:4,794×W:1,043×H:1,350 (mm) | L:5,643×W:1,043×H:1,350 (mm) | L:5612×W:1174×H:1410 (mm) |
| 重量     | Net Weight            | Approx. 1,150 (kg)                                               | Approx. 1,400 (kg)           | Approx. 1,900 (kg)           | Approx. 1,900 (kg)        |
| 加热区长度  | Heating zone Length   | 2,680 (mm)                                                       | 3,340 (mm)                   | 3,980 (mm)                   | 3,840 (mm)                |
| 基板宽度   | PCB Wide              | 50 / 400 (mm) Min/Max                                            |                              |                              | 50 / 500 (mm) Min/Max     |
| 基板长度   | PCB Length            | 70 / 500 (mm) Min/Max                                            |                              |                              | 70 / 600 (mm) Min/Max     |
| 传送速度   | Conveyor Speed        | 0.4 ~ 1.6 (m/min)                                                |                              |                              |                           |
| 传送方式   | Conveyor Type         | 链条 & 网带 Chain rail & Mesh belt                                   |                              |                              |                           |
| 导轨离地高度 | Height of Conveyor    | 標準 Standard 900 (mm) (890~920)                                   |                              |                              |                           |
| 传送链条   | Conveyor Chain        | SUS#35 4mm 支撑销 Hold Pin                                          |                              |                              |                           |
| 风速控制   | Wind velocity Control | 5 级可调控制 5 Phases of Variable Control                             |                              |                              |                           |
| 风嘴高度   | Nozzle height         | Chain 上 Upper: 30 (mm) 下 Bottom: 20 (mm)                         |                              |                              |                           |
| 选配类    | Option                | 台式电脑 PC sets, UPS, 月计时器 Monthly timer, 中央支撑链 Anti-warp, 其他 Other |                              |                              |                           |

## 外形 DIMENSIONS



代理店 AGENCY



**EIGTECH TECTRON CO., LTD.** <http://www.eightech.com>

### HEAD OFFICE

2161-16 Miyama-Cho, Hachioji-Shi, Tokyo 192-0152 Japan  
TEL +81-42-650-7888(代) FAX+ (042) 650-7880

### EIGTECH SERVICE CORPORATION

2161-17 Miyama-Cho, Hachioji-Shi, Tokyo 192-0152 Japan  
TEL (042) 652-0701 FAX (042) 652-0702

### Osaka Office

3-6-16 Torikai-honmachi, Settsu-Shi, Osaka 566-0052 Japan  
TEL (072) 654-5188 FAX (072) 654-5189

### R-TECH PHILIPPINES INC.

Lot11-A Block28, Phase4, Philippines Economic Zone Authority,  
Rosario Cavite, Philippines  
TEL:+63-46-437-2478/2479 FAX:+63-46-437-2368

### R-TECH COMPANY LIMITED

Room2001, 20/F, Connaught Commercial Building, 185 Wanchai Road, HongKong  
TEL:+86-755-8386-4174 FAX:+86-755-8386-5276

### EIGTECH MACHINERY (SHENZHEN) CO., LTD.

Room517, XinQiao Building, 110th, BeiHuan Road, ShaJing street,  
Baoan District, Shenzhen, GuangDong, China  
TEL:+86-755-8386-4174 FAX:+86-755-8386-5276

### EIGTECH ASIA SDN.BHD

No.12,Jalan P/20,Taman Industri Selaman,43650 Bandar Baru Bangi,  
Selangor, Malaysia  
TEL:+60-3-8925-1126 FAX:+60-3-8925-1128

关于本产品目录所记载内容如有因改良而变更时恕不另行通知，敬请谅解。

The Specifications in this catalog may change without notice.



# EIGTECH TECTRON

2017年10月25日  
October 25, 2017